



# EVMS/EVMS-V

Stainless Steel Vertical Multi Stage Pump



*Springs of Living Water*



## B

용도 Application	B 01
특징 Features	B 01
호칭 Model Designation	B 01
표준 사양 Standard Specification	B 01
인버터 부착형 입형다단펌프 EVMS-V Inverter Type EVMS Pump EVMS-V	B 02
조립 단면도 Sectional Drawing	B 03
메카니칼 씬 구조도 Mechanical Seal Construction	B 08
성능 곡선도 Performance Curve	B 09
외형도 Outline Drawing 60Hz [ EVMS03/05/10/15/20 ]	B 17
외형 치수표 Outline Dimension 60Hz [ EVMS03/05/10/15/20 ]	B 18
외형도 Outline Drawing 60Hz [ EVM32/45/64 ]	B 19
외형 치수표 Outline Dimension 60Hz [ EVM32/45/64 ]	B 20

# EVMS / EVMS-V

Stainless Steel Vertical Multi Stage Pump

## 용도 Application



## 특징 Features

- 01. 입형구조로 설계되어 동일성능의 횡형펌프 대비, 설치공간이 크게 절약됨
- 02. 첨단 프레스 가공기술을 통해 높은 효율과 에너지 절감 효과를 구현
- 03. 펌프의 분해없이 메카니컬씰 교환이 가능하고 배관의 해체없이 펌프 분해, 조립이 가능

- 01. Due to its design as a vertical structure, can significantly save the installation space compared to horizontal pumps of equal performance.
- 02. High efficiency and energy savings by high-tech press processing technology.
- 03. It is available to replace mechanical seal easily without disassembling the pump and it is also available to reassemble pump without disassembling the pipe.

## 호칭 Model Designation

# EVMS3209-3

펌프 모델명 <b>EVMS</b> Model Name	대표 유량 [32m³/h] <b>32</b> Main Flow [32m³/h]	회전차 수량 [9개] <b>09</b> Number of Impellers [9 Each]	Reduced 회전차 적용수량 [3개] <b>3</b> Number of Reduced Impellers [3 Each]
-------------------------------------	---	--	---

## 표준 사양 Standard Specification

※ STS304, STS316 : Stainless Steel

항목 Category		EVMS	EVMSL
액질 Liquid	취급액 Applicable Liquid	청수, 냉난방수, 응축수, 글리콜혼합수, 절삭액, 세정액 등 점도가 높지 않고 마모 물질이 포함되지 않은 액체 Clean Water, Cooling/Heating Water, Condensate Water, Glycol-Mixed Water, Coolant, Cleaning Solution and Other Liquid Which has Low Viscosity and does not contain corrosive matters	
	온도 Temperature	-15 ~ 120°C	
최대허용압력 Maximum Allowable Pressure	[MPa]	1.6 / 2.5 / 3.0	
	[BAR]	16 / 25 / 30	
구조 Structure	회전차 Impeller	클로즈 임펠러 Closed Type Impeller	
	축봉타입 Shaft Seal	메카니칼 씰 Mechanical Seal	
	베어링 Bearing	밀봉 볼 베어링 Sealed Ball Bearing	
재질 Material	케이싱 Casing	하부 Bottom	STS304 (EVMS20 이하) (EVMS20 or Lower) / STS316 (EVMSL20 이하) (EVMSL20 or Lower)
		중간 Middle	SSC13 (EVMS32 이상) (EVMS32 or Higher) / SSC14 (EVMSL32 이상) (EVMSL32 or Higher)
	바깥 Exterior	STS304 / STS316	
	회전차 Impeller	STS304 / STS316	
	축 Shaft	STS304 / STS316	
	축 슬리브 Shaft Sleeve	STS304 / STS316	
	라이너링 Liner Ring	EPDM / STS304 / EPDM / STS316	
오링 O-Ring	EPDM / FPM		
전동기 Motor	공급전원 Power Supply	3-Phase, 380V (Option : 220V, 440V), 60Hz (Option : 50Hz)	
	절연등급 Insulation Class	F Class	
	보호등급 Protection Class	IP55 (Option : IP65)	
설치장소 Installation	주위온도 40°C 이하, 표구 1000m 이하, 부식성 및 폭발성 가스 및 증기가 없는 곳 Ambient Temperature : 40°C or less; Altitude : 1000m or less; Place without Corrosive and Explosive Gas and Vapor		

## 인버터 부착형 입형다단펌프 EVMS-V Inverter Type EVMS Pump EVMS-V



### 주요기능

1. 128X64 Graphic의 LCD Display : 한글 LCD 화면
2. 연동운전 : 5대의 인버터를 통신으로 연결 운전
3. 일정압/일정온도 제어, 차압/차온 제어
4. 순차 운전
5. 정전 후 자동 운전 복구
6. 주 Pump의 교번(교대)운전
7. 고장 Pump Skip
8. 갈수 보호운전
9. 통신기능(Optional)
10. 자가 진단

### Major Features

1. 128X64 LCD Display: Korean LCD
2. Interoperation: Interoperation of 5 Inverters via Communication
3. Consistent Pressure/Temperature Control, Differential Pressure/Temperature Control
4. Sequential Operation
5. Automatic Recovery After Power Failure
6. Rotational Operation of the Main Pump
7. Skipping of the Defective Pump
8. Water Shortage Protection
9. Communication (Option)
10. Self Diagnosis

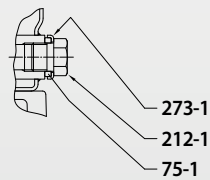
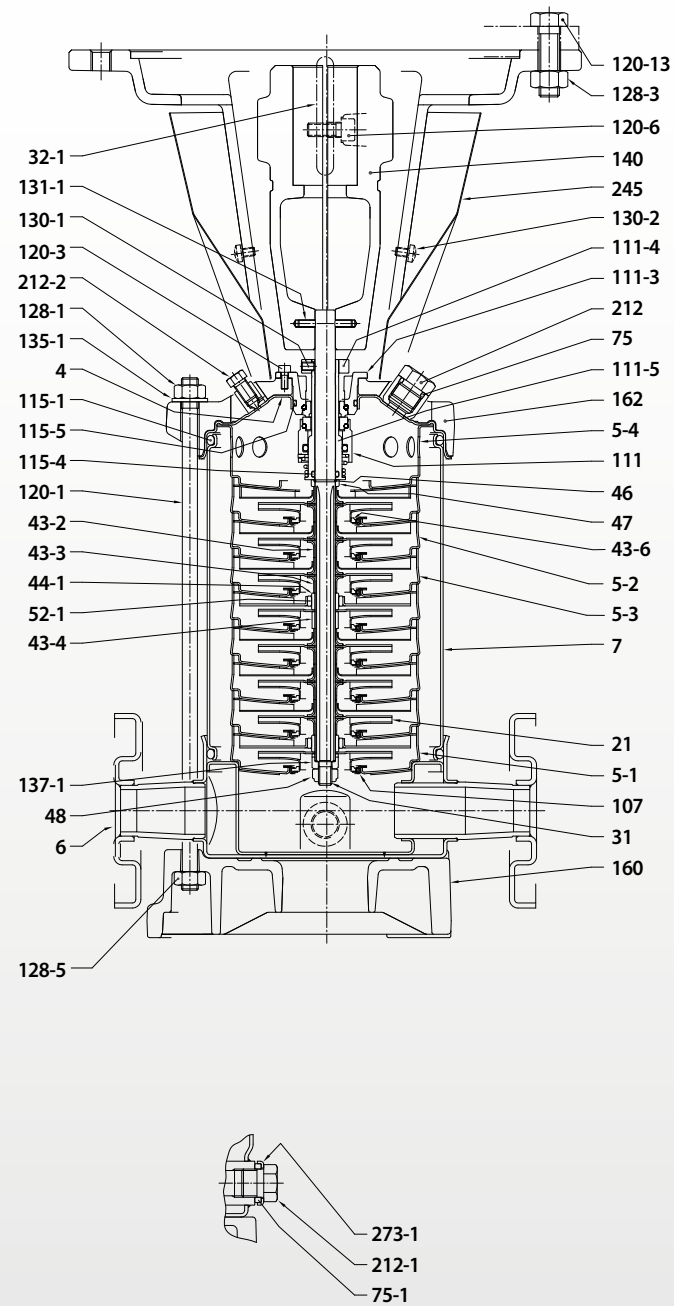
제어항목 Control Items		내용 Description	Remark
입력사항 Input	입력 전압 Input Voltage	3상 342V ~ 528V (3-Phase 342V ~ 528V)	
	전압변동범위 Voltage Fluctuation Range	-15 ~ +10% (342V ~ 528V)	
	주파수변동범위 Frequency Fluctuation Range	-5 ~ +5% (20 ~ 60Hz)	
사용 환경 Operating Environment	온도 Temperature	섭씨 -10°C ~ +40°C	
	상대습도 Relative Humidity	0 ~ 90%	
	진동 Vibration	0.6G (10-60Hz)	
콘트롤 사양 Control Specification	컨트롤전원 Control Power	SPWM (캐리어주파수 2~10Hz) SPWM (Carrier Frequency 2-10Hz)	
	주파수해상도 Frequency Resolution	0.01Hz	
	토크특성 Torque Property	자동, 스타트 150%(1.0Hz) / Auto, Start 150%(1.0Hz)	
	과부하 Overload	정격 전류에 120%에서 1분간 / 120% of Rated Current, One Minute	
	가속/감속 시간 Acceleration/Deceleration Time	0.1 ~ 3600s / 개별 가감속 4가지 조합 가능 0.1 ~ 3600s / Respective Four Acceleration/Deceleration Combinations	
	V/F RATIO 설정 V/F Ratio Setting	사용자 설정 가능 (User Configuration)	
	스톨 방지 레벨 Stall Prevention Level	20 ~ 150%, 설정 가능 (20 ~ 150%, Configurable)	
운전 사양 Operating Specification	키패드 Keypad	키패드 설정 (Keypad Setting)	
	주파수 설정 Frequency Setting	0 ~ 5V / 0 ~ 10V / 4 ~ 20mA / 0 ~ 20mA	
	다기능 출력 Multifunctional Output	주파수 상한 / 하한 설정 (Upper Limit / Lower Limit)	
보호기능 Protection	과전류 Overcurrent	3개의 SKIP 주파수 설정 (3 Skip Frequencies)	
	과부하 Overload	정격 전류의 120% (Delay : 1분) 120% of Rated Current (Delay : 1 minute)	
	모터 과부하 Motor Overload	Thermal Overload Relay	
	과전압 Overvoltage	DC-BUS 330~410V / DC-BUS 660-820V	
	순시 정전 Instantaneous Interruption	Speed Search에 의한 인버터 재가동 (0~2초) Restart of the Inverter by Speed Search (0~2 Seconds)	
	과열 Overheating	써미스터 보호 방식 (Thermistor Protection)	
기타 제어 Other Control		감속 정지 / 자가 정지 / DC브레이크 / Carrier (Deceleration Stop/Self-Stop / DC Brake/ Carrier)	
통신 방식 Communication		주파수 조절 가능(20KHz) Frequency Control (20KHz)	RS-485

# EVMS / EVMS-V

Stainless Steel Vertical Multi Stage Pump

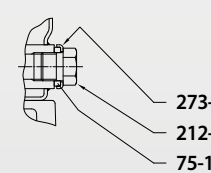
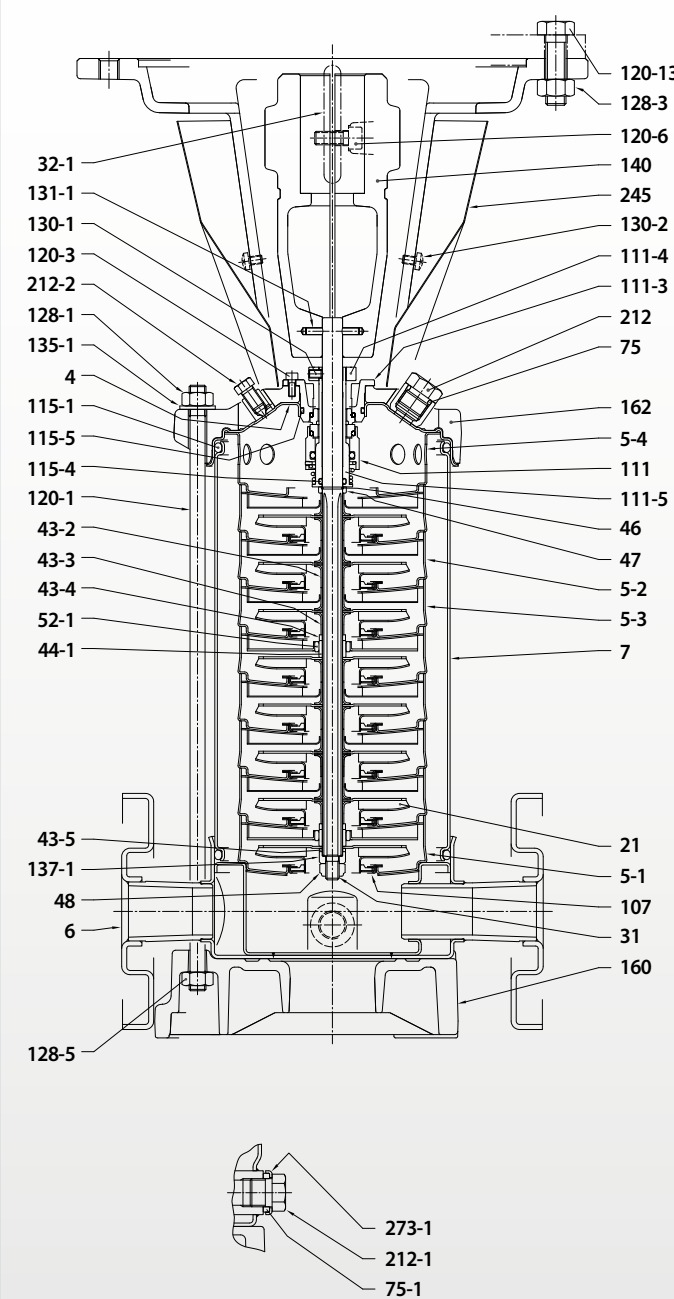
## 조립 단면도 Sectional Drawing

[ EVMS03 ]



NO.	Part Name	Material	
		EVMS	EVMSL
4	Casing cover	STS304	STS316
5-1	Suction casing	STS304	STS316
5-2	Intermediate Casing	STS304	STS316
5-3	Intermediate casing bearing	STS304	STS316
5-4	Discharge casing	STS304	STS316
6	Bottom casing	STS304	STS316
7	Outer casing	STS304	STS316
21	Impeller	STS304	STS316
31	Shaft	STS304	STS316
32-1	Adjuster Key	STS304	
43-2	Shaft sleeve (intermediate)	STS304	STS316
43-3	Shaft sleeve (bearing)	STS304	STS316
43-4	Shaft sleeve (adjustment)	STS304	STS316
43-6	Washer	STS304	
44-1	Shaft sleeve bearing	Tungsten carbide	
45	Flange holder	STS304	
46	Ring (mechanical seal)	STS304	STS316
47	Ring Holder	STS304	STS316
48	Impeller nut	A2-70 UNI 7323	A4-70 UNI 7323
52-1	Bearing	Tungsten carbide	
75	O-Ring (plug)	EPDM	
75-1	O-Ring (plug)	EPDM	
107	Liner ring	STS304	STS316
111	Mechanical Seal	SiC/Carbon/EPDM	
111-3	Mechanical seal seat	STS304	STS316
111-4	Seal holder	STS304	
111-5	Mechanical seal cartridge	STS304	STS316
115-1	O-Ring (outer casing)	EPDM	
115-3	O-Ring	EPDM	
115-4	O-Ring (cartridge sleeve)	EPDM	
115-5	O-Ring (seal cover)	EPDM	
120-1	Tie-rod	Galvanized steel 6.8 strength class ISO 898/1	
120-3	Screw	A2-70 UNI 7323	
120-6	Screw for coupling	Galvanized steel	
120-11	Screw for counterflange	A2-70 UNI 7323	
120-13	Screw for motor	Galvanized steel	
128-1	Nut for tie rod	Galvanized steel	
128-3	Nut (motor)	Galvanized steel	
128-5	Nut for tie rod	Galvanized steel	
130-1	Set screw	A2-70 UNI 7323	
130-2	Screw for coupling guard	A2-70 UNI 7323	
131-1	Pin for shaft	Carbon Steel	
135-1	Washer	Galvanized steel	
137-1	Impeller spacer	STS304	STS316
140	Coupling	Die cast Aluminium EN AB-AISI11Cu2 (Fe) Cast Iron	
160	Base	Die cast Aluminium EN AB-AISI11Cu2 (Fe)	
162	Motor bracket	Cast iron EN-GJL-200-EN 1561	
212	Plug	STS304	STS316
212-1	Plug	STS304	STS316
212-2	Venting plug	STS316L	
219	Counter flange	STS304	STS316
245	Coupling guard	STS304	
273-1	Plug Washer	STS304	STS316
615	Flange	Carbon steel	

[ EVMS05 ]



NO.	Part Name	Material	
		EVM	EVML
4	Casing cover	STS304	STS316
5-1	Suction casing	STS304	STS316
5-2	Intermediate Casing	STS304	STS316
5-3	Intermediate casing bearing	STS304	STS316
5-4	Discharge casing	STS304	STS316
6	Bottom casing	STS304	STS316
7	Outer casing	STS304	STS316
21	Impeller	STS304	STS316
31	Shaft	STS304	STS316L
32-1	Adjuster Key	STS304	
43-2	Shaft sleeve (intermediate)	STS304	STS316
43-3	Shaft sleeve (bearing)	STS304	STS316
43-4	Shaft sleeve (adjustment)	STS304	STS316
43-5	Shaft sleeve (last stage)	STS304	STS316
44-1	Shaft sleeve bearing	Tungsten carbide	
45	Flange holder	STS304	
46	Ring (mechanical seal)	STS304	STS316
47	Ring Holder	STS304	STS316
48	Impeller nut	A2-70 UNI 7323 with inox insert	A4-70 UNI 7323 with inox insert
52-1	Bearing	Tungsten carbide	
75	O-Ring (plug)	EPDM	
75-1	O-Ring (plug)	EPDM	
107	Liner ring	STS304 + PPS	STS316 + PPS
111	Mechanical Seal	SiC/Carbon/EPDM	
111-3	Mechanical seal seat	STS304	STS316
111-4	Seal holder	STS304	
111-5	Mechanical seal cartridge	STS304	STS316
115-1	O-Ring (outer casing)	EPDM	
115-3	O-Ring	EPDM	
115-4	O-Ring (cartridge sleeve)	EPDM	
115-5	O-Ring (seal cover)	EPDM	
117	Flange gasket	/	
120-1	Tie-rod	Galvanized steel 6.8 strength class ISO 898/1	
120-3	Screw	A2-70 UNI 7323	
120-6	Screw for coupling	Galvanized steel	
120-11	Screw for counterflange	A2-70 UNI 7323	
120-13	Screw for motor	Galvanized steel 8.8 strength class ISO 898/1	
128-1	Nut for tie rod	Galvanized steel	
128-3	Nut (motor)	Galvanized steel	
128-5	Nut for tie rod	A2-70 UNI 7323	
128-6	Nut for coupling	Galvanized steel	
130-1	Set screw	A2-70 UNI 7323	
130-2	Screw for coupling guard	A2-70 UNI 7323	
131-1	Pin for shaft	Carbon Steel	
135-1	Washer	Galvanized steel	
135-6	Washer	Carbon Steel	
137-1	Impeller spacer	STS304	STS316
140	Coupling	Die cast Aluminium EN AB-AISI11Cu2 (Fe) Cast Iron	
160	Base	Die cast Aluminium EN AB-AISI11Cu2 (Fe)	
162	Motor bracket	Cast iron EN-GJL-200-EN 1561	
212	Plug	STS304	STS316
212-1	Plug	STS304	STS316
212-2	Venting plug	STS316L	
219	Counter flange	STS304	STS316
245	Coupling guard	STS304	
273-1	Plug Washer	STS304	STS316
613	Flange	Nodular Cast Iron	

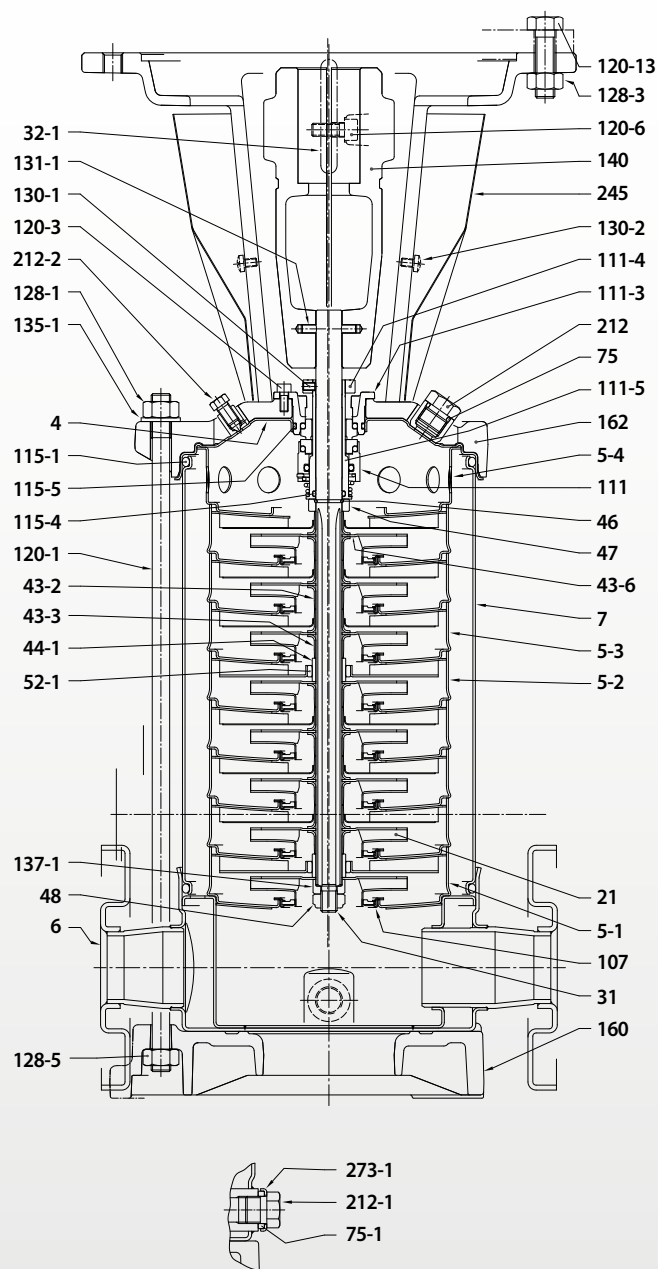


# EVMS / EVMS-V

Stainless Steel Vertical Multi Stage Pump

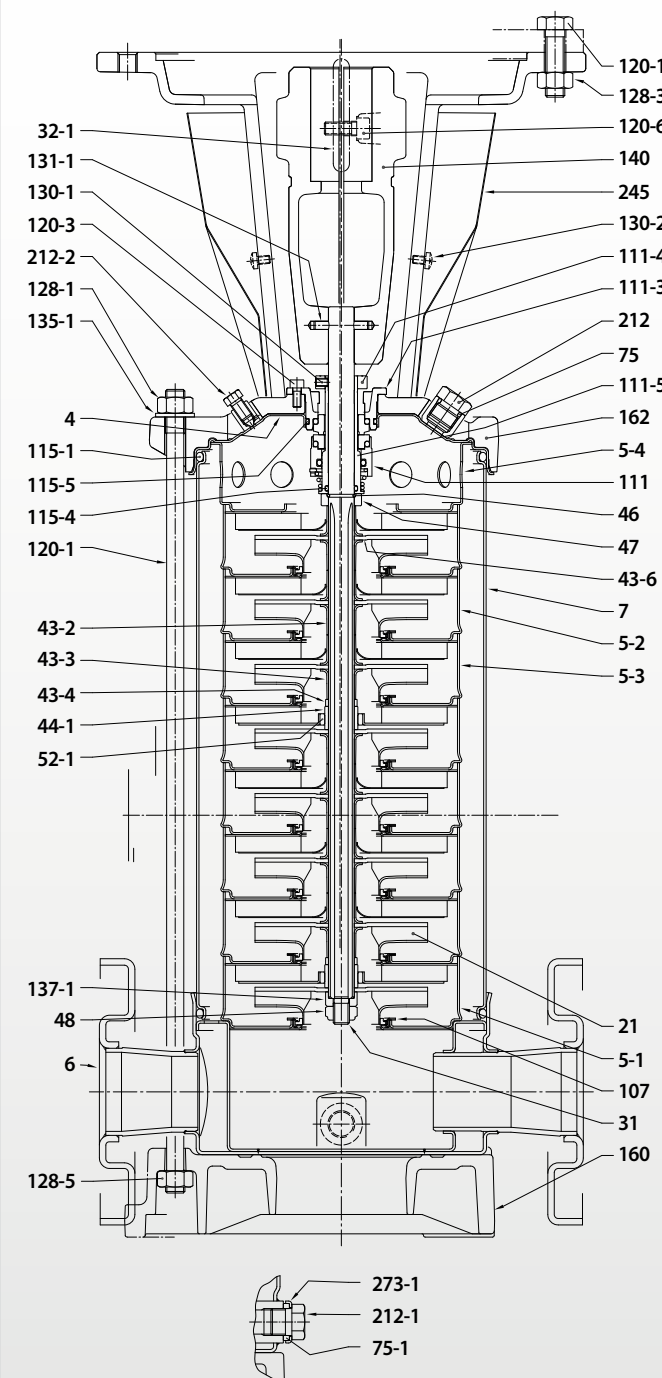
## 조립 단면도 Sectional Drawing

[ EVMS10 ]



NO.	Part Name	Material	
		EVM	EVML
4	Casing cover	STS304	STS316
5-1	Suction casing	STS304	STS316
5-2	Intermediate Casing	STS304	STS316
5-3	Intermediate casing bearing	STS304	STS316
5-4	Discharge casing	STS304	STS316
6	Bottom casing	STS304	STS316
7	Outer casing	STS304	STS316
21	Impeller	STS304	STS316
31	Shaft	STS304	STS316L
32-1	Adjuster Key	STS304	
43-2	Shaft sleeve (intermediate)	STS304	STS316
43-3	Shaft sleeve (bearing)	STS304	STS316
44-1	Shaft sleeve bearing	Tungsten carbide	
45	Flange holder	STS304	
46	Ring (mechanical seal)	STS304	STS316
47	Ring Holder	STS304	STS316
48	Impeller nut	A2-70 UNI 7323 with inox insert	A4-70 UNI 7323 with inox insert
52-1	Bearing	Tungsten carbide	
75	O-Ring (plug)	EPDM	
75-1	O-Ring (plug)	EPDM	
107	Liner ring	STS304 + PPS	STS316 + PPS
111	Mechanical Seal	SiC/Carbon/EPDM	
111-3	Mechanical seal seat	STS304	STS316
111-4	Seal holder	STS304	
111-5	Mechanical seal cartridge	STS304	STS316
115-1	O-Ring (outer casing)	EPDM	
115-3	O-Ring	EPDM	
115-4	O-Ring (cartridge sleeve)	EPDM	
115-5	O-Ring (seal cover)	EPDM	
120-1	Tie-rod	Galvanized steel 6.8 strength class ISO 898/1	
120-3	Screw	A2-70 UNI 7323	
120-6	Screw for coupling	Galvanized steel	
120-11	Screw for counterflange	A2-70 UNI 7323	
120-13	Screw for motor	Galvanized steel 8.8 strength class ISO 898/1	
128-1	Nut for tie rod	Galvanized steel	
128-3	Nut (motor)	Galvanized steel	
128-5	Nut for tie rod	Galvanized steel	
130-1	Set screw	A2-70 UNI 7323	
130-2	Screw for coupling guard	A2-70 UNI 7323	
131-1	Pin for shaft	Carbon Steel	
135-1	Washer	Galvanized steel	
137-1	Impeller spacer	STS304	STS316
140	Coupling	Die cast Aluminium EN AB-AISI11Cu2 (Fe) Cast Iron	
160	Base	Die cast Aluminium EN AB-AISI11Cu2 (Fe)	
162	Motor bracket	Cast iron EN-GJL-200-EN 1561	
212	Plug	STS304	STS316
212-1	Plug	STS304	STS316
212-2	Venting plug	STS316L	
219	Counter flange	STS304	STS316
245	Coupling guard	STS304	
273-1	Plug Washer	STS304	STS316
613	Flange	Nodular Cast Iron	

[ EVMS15/20 ]



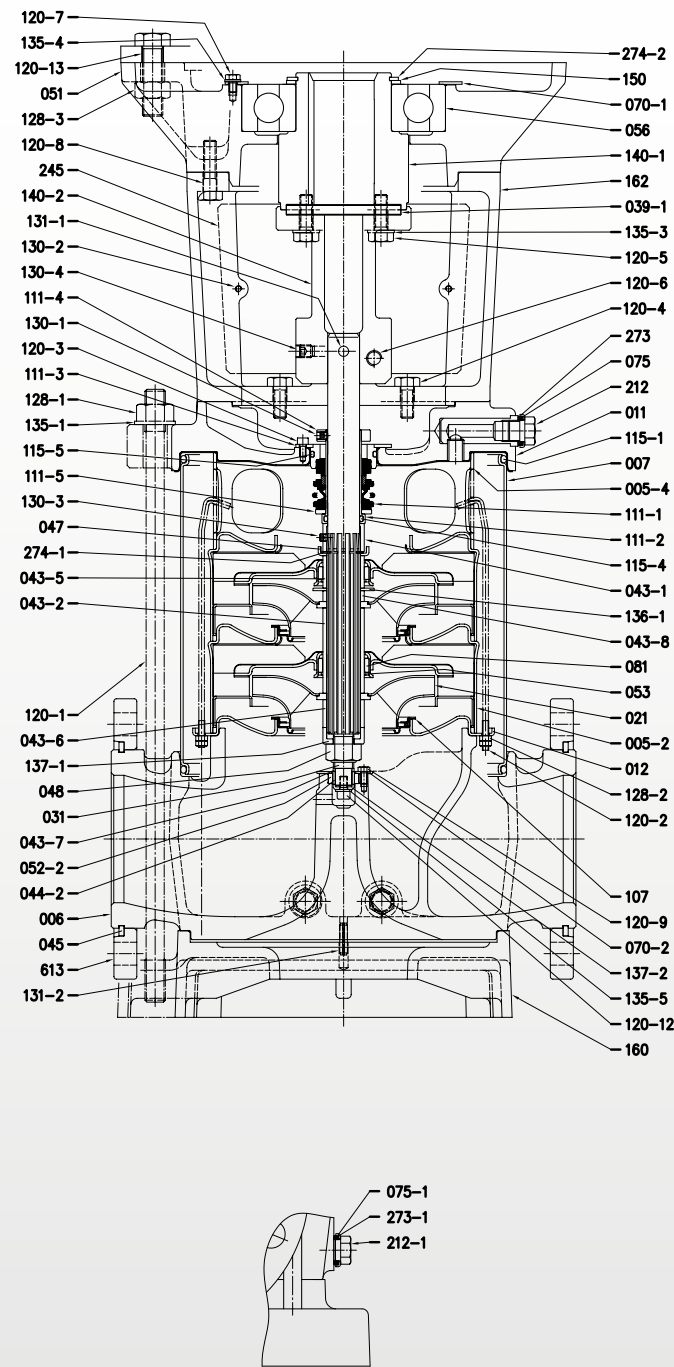
NO.	Part Name	Material	
		EVM	EVML
4	Casing cover	STS304	STS316
5-1	Suction casing	STS304	STS316
5-2	Intermediate Casing	STS304	STS316
5-3	Intermediate casing bearing	STS304	STS316
5-4	Discharge casing	STS304	STS316
6	Bottom casing	STS304	STS316
7	Outer casing	STS304	STS316
21	Impeller	STS304	STS316
31	Shaft	STS304	STS316L
32-1	Adjuster Key	STS304	
43-2	Shaft sleeve (intermediate)	STS304	STS316
43-3	Shaft sleeve (bearing)	STS304	STS316
43-4	Shaft sleeve (adjustment)	STS304	STS316
44-1	Shaft sleeve bearing	Tungsten carbide	
45	Flange holder	STS304	
46	Ring (mechanical seal)	STS304	STS316
47	Ring Holder	STS304	STS316
48	Impeller nut	A2-70 UNI 7323 with inox insert	A4-70 UNI 7323 with inox insert
52-1	Bearing	Tungsten carbide	
75	O-Ring (plug)	EPDM	
75-1	O-Ring (plug)	EPDM	
107	Liner ring	STS304 + PPS	STS316 + PPS
111	Mechanical Seal	SiC/Carbon/EPDM	
111-3	Mechanical seal seat	STS304	STS316
111-4	Seal holder	STS304	
111-5	Mechanical seal cartridge	STS304	STS316
115-1	O-Ring (outer casing)	EPDM	
115-3	O-Ring	EPDM	
115-4	O-Ring (cartridge sleeve)	EPDM	
115-5	O-Ring (seal cover)	EPDM	
120-1	Tie-rod	Galvanized steel 6.8 strength class ISO 898/1	
120-3	Screw	A2-70 UNI 7323	
120-6	Screw for coupling	Galvanized steel	
120-11	Screw for counterflange	A2-70 UNI 7323	
120-13	Screw for motor	Galvanized steel 8.8 strength class ISO 898/1	
128-1	Nut for tie rod	Galvanized steel	
128-3	Nut (motor)	Galvanized steel	
128-5	Nut for tie rod	Galvanized steel	
130-1	Set screw	A2-70 UNI 7323	
130-2	Screw for coupling guard	A2-70 UNI 7323	
131-1	Pin for shaft	Carbon Steel	
135-1	Washer	Galvanized steel	
137-1	Impeller spacer	STS304	STS316
140	Coupling	Die cast Aluminium EN AB-AISI11Cu2 (Fe) Cast Iron	
160	Base	Die cast Aluminium EN AB-AISI11Cu2 (Fe)	
162	Motor bracket	Cast iron EN-GJL-200-EN 1561	
212	Plug	STS304	STS316
212-1	Plug	STS304	STS316
212-2	Venting plug	EN 1.4404 (AISI 316L)	
219	Counter flange	STS304	STS316
245	Coupling guard	STS304	
273-1	Plug Washer	STS304	STS316
613	Flange	Carbon steel	

# EVMS / EVMS-V

Stainless Steel Vertical Multi Stage Pump

## 조립 단면도 Sectional Drawing

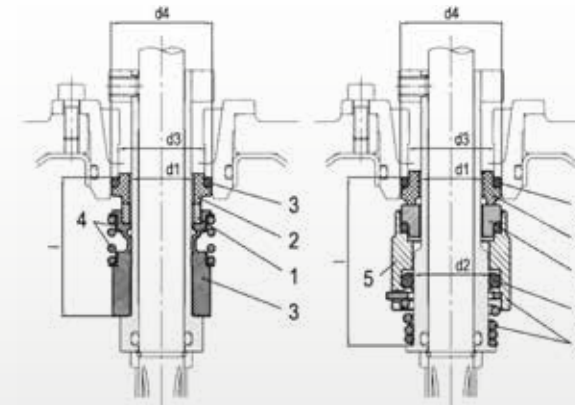
[ EVM32/45/64 ]



NO.	Part Name	Material	
		EVMS	EVMSL
005-1	Suction Casing	STS304	STS316
005-2	Intermediate Casing	STS304	STS316
005-3	Intermediate Casing Bearing	STS304	STS316
005-4	Discharge Casing	STS304	STS316
006	Bottom Casing	STS304/SSC13	STS316/SSC14
007	Outer Casing	STS316/STS304	STS316
011	Casing Cover	Cast Iron/STS304	Cast Iron/STS316
012	Suction Cover	STS304	STS316
021	Impeller	STS304	STS316
031	Shaft	STS316	
039-1	Key	Carbon Steel	
043-1	Shaft Sleeve (Mechanical seal)	STS304	STS316
043-2	Shaft Sleeve (Intermediate)	STS304	STS316
043-3	Shaft Sleeve (Bearing)	STS304	STS316
043-4	Shaft Sleeve (Adjustment)	STS304	STS316
043-5	Shaft Sleeve (Last Stage)	STS304	STS316
043-6	Shaft Sleeve (Adjustment)	STS304	STS316
043-7	Shaft Sleeve (Bottom Bearing)	STS304	STS316
043-8	Shaft Sleeve (Discharge/Lower)	STS304	STS316
044-1	Shaft Sleeve Bearing	Tungsten Carbide	
044-2	Bearing Sleeve	Tungsten Carbide	
045	Flange Holder	STS420	
047	Ring Holder	STS304	STS316
048	Impeller Nut	A2-70 UNI 7323	A4-70 UNI 7323
051	Motor Adapter	Cast Iron EN-GJL-200 EN 1561	
052-1	Bearing	Tungsten Carbide	
052-2	Bearing	Tungsten Carbide	
053	Bush Holder	STS304	STS316
056	Ball Bearing	-	
070-1	Ring for Bearing	STS304	
070-2	Ring for Bearing	STS304	STS316
081	Bush	PTFE	
107	Liner Ring	EPDM/STS304(03-18), PTFE/STS316(32-45)	PTFE / STS316
111-1	Mechanical Seal	Silicon Carbide / Carbon / FPM	
111-2	Mechanical Seal Cartridge	STS304	STS316
111-3	Mechanical Seal Seat	STS304	STS316
111-4	Seal Holder	Brass OT 58 UNI 5705	STS316
111-5	Adjusting Ring	STS304	STS316
115-1	O-Ring (Outer Casing)	EPDM	FPM
115-2	O-Ring (Intermediate Casing)	EPDM	FPM
115-4	O-Ring (Cartridge Sleeve)	EPDM	FPM
115-5	O-Ring (Seal Cover)	EPDM	FPM
120	Tie-rod	Zincate Steel 6.8 Strenght Class 898/1	
120-3	Screw (Mechanical Seal)	A2-70 UNI 7323	
120-4	Screw (Casing Cover)	Zincate Steel 8.8 Strenght Class 898/1	
120-5	Screw for Coupling(Pump)	Zincate Steel 8.8 Strenght Class 898/1	
120-6	Screw for Coupling(Motor)	Zincate Steel 8.8 Strenght Class 898/1	
120-7	Screw (Coupling Bearing)	Zincate Steel 8.8 Strenght Class 898/1	
120-9	Screw (Bearing Sleeve)	STS304	STS316
120-12	Screw (Shaft Spacer)	STS304	STS316
120-13	Screw (Motor Adapter)	Zincate Steel 8.8 Strenght Class 898/1	
130-2	Screw for Coupling Guard	A2-70 UNI 7323	
131-1	Pin for Shaft	Carbon Steel	
136	Bearing Washer	Carbon Steel	
137-1	Impeller Spacer	STS304	STS316
137-2	Shaft Spacer	STS304	STS316
140	Coupling	Brass OT 58 UNI 5705	
140-1	Motor Coupling	Carbon Steel	
140-2	Coupling (Pump Side)	Carbon Steel	
150	Spacer	Carbon Steel	
160	Base	Cast Iron EN-GJL-200 EN 1561	
162	Motor Bracket	Cast Iron EN-GJL-200 EN 1561	
212	Plug	STS304	STS316
245	Coupling Guard	STS304	
274-1	C-Type Snap Ring (M/Seal)	STS304	STS316
274-2	C-Type Snap Ring (Coupling)	Carbon Steel T C80	
274-3	C-Type Snap Ring (Bracket)	Carbon Steel TC80	
613	Flange	-	

## 메카니칼 씰 구조도 Mechanical Seal Construction

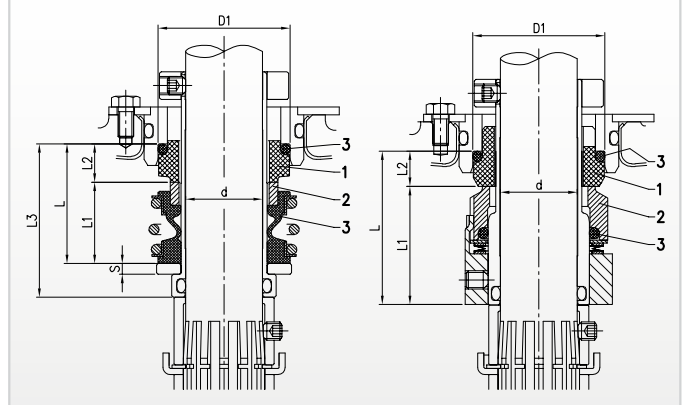
[ EVMS03/05/10/15/20 ]



Up to 16 BAR  
Cartridge  
Unbalanced type

Up to 25 BAR  
Cartridge  
Balanced type

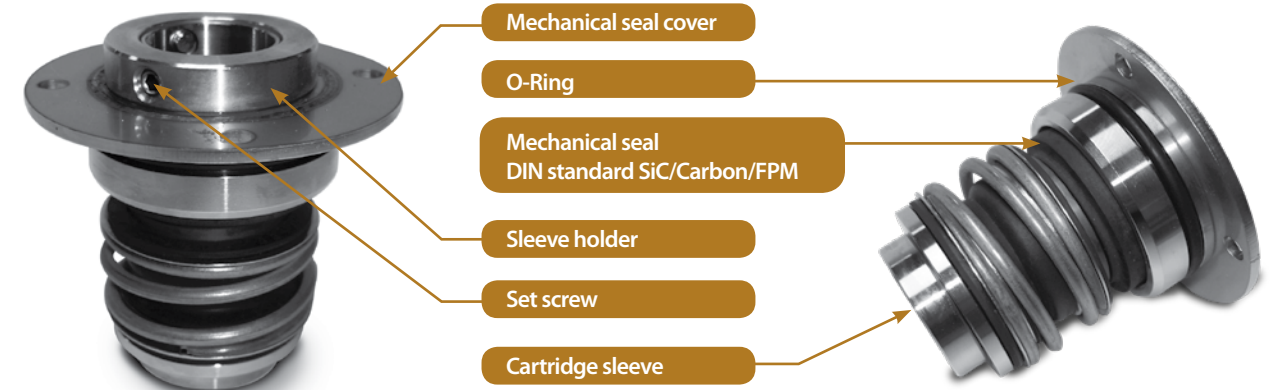
[ EVM32/45/64 ]



Up to 25 BAR

From 25 to 30 BAR

Pump model	Shaft seal type	Max operating pressure	d1 [[mm]]	d2 [[mm]]	d3 [[mm]]	d4 [[mm]]	l [[mm]]
EVMS03/05	Cartridge	Unbalanced	16	-	23	27	35
		Balanced		20			42.5
EVMS10/15/20	Cartridge	Unbalanced	20	-	29	35	37.5
		Balanced		24			45
EVM32/45/64	Cartridge	Unbalanced	43	-	-	-	39
		Balanced		-			50



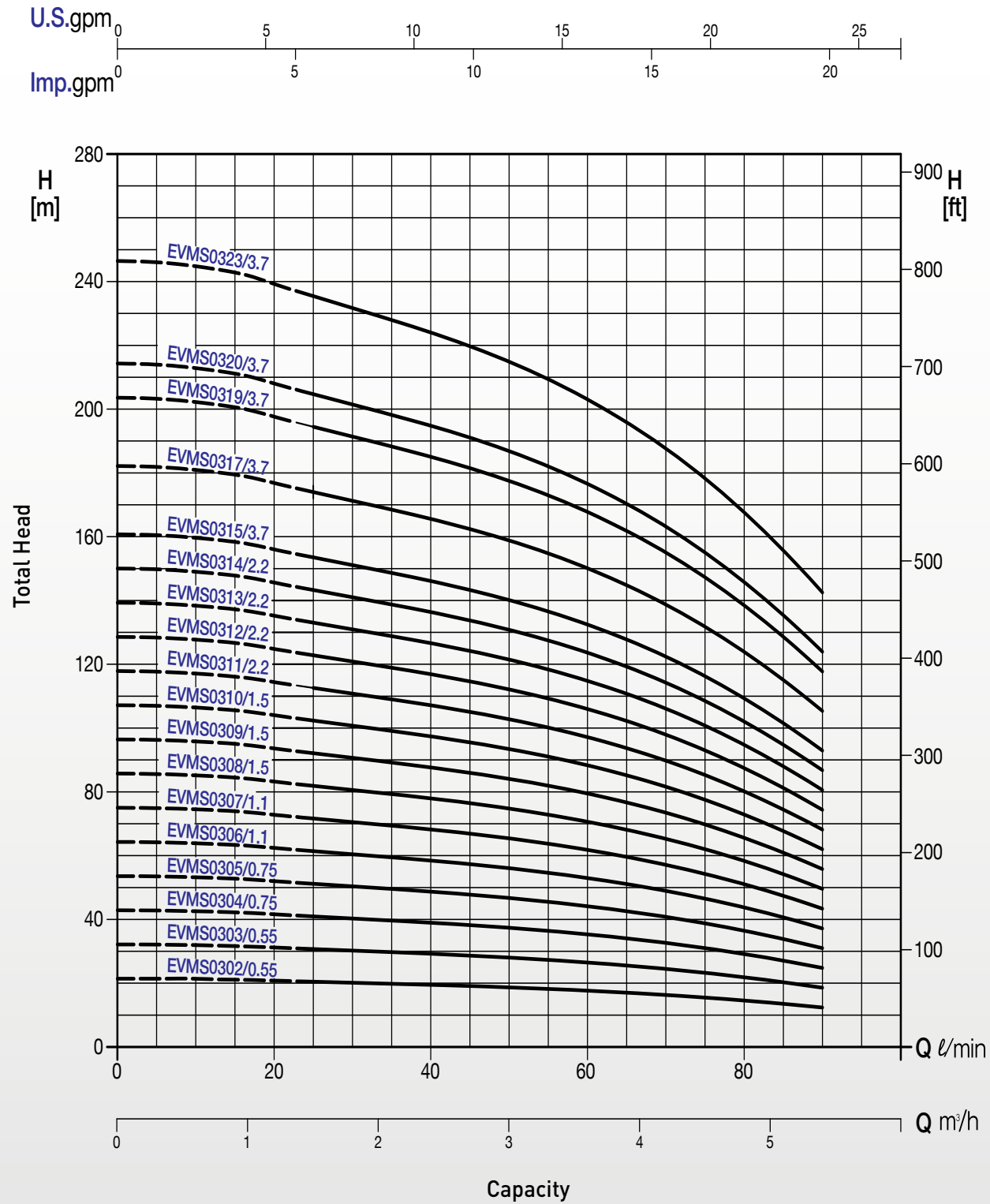
# EVMS / EVMS-V

Stainless Steel Vertical Multi Stage Pump

## 성능 곡선도 Performance Curve

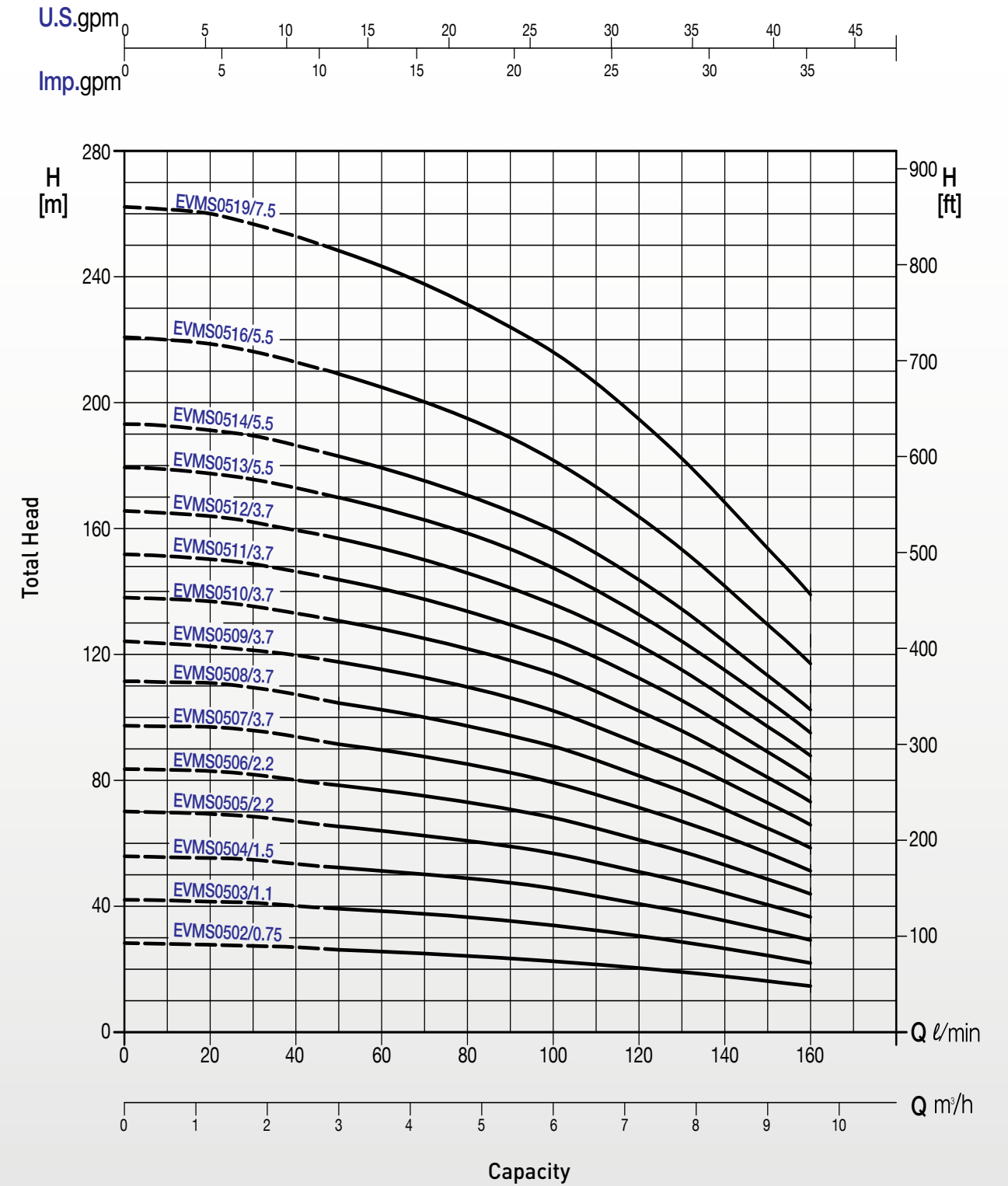
[ EVMS03 ]

60Hz



[ EVMS05 ]

60Hz



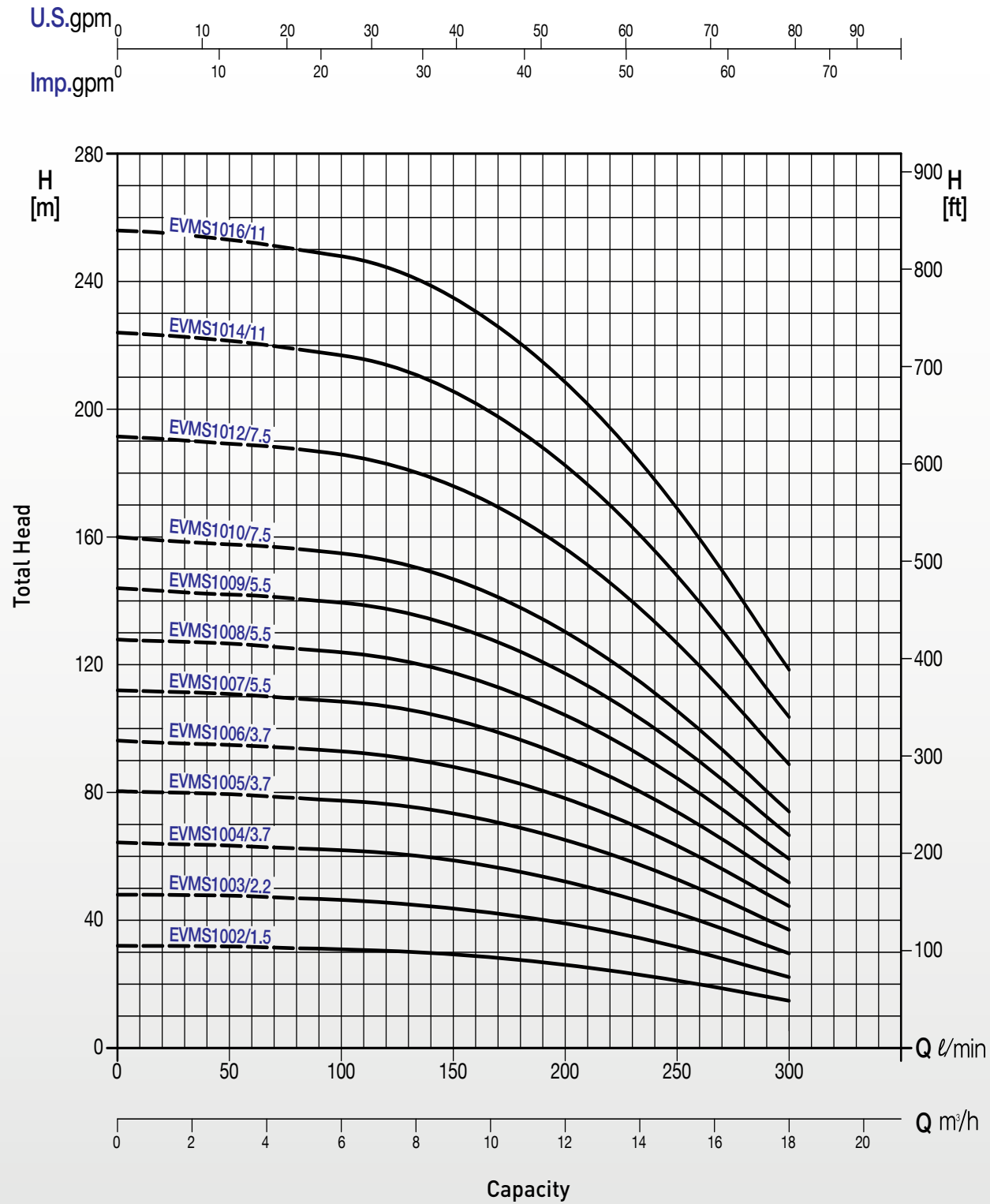
# EVMS / EVMS-V

Stainless Steel Vertical Multi Stage Pump

## 성능 곡선도 Performance Curve

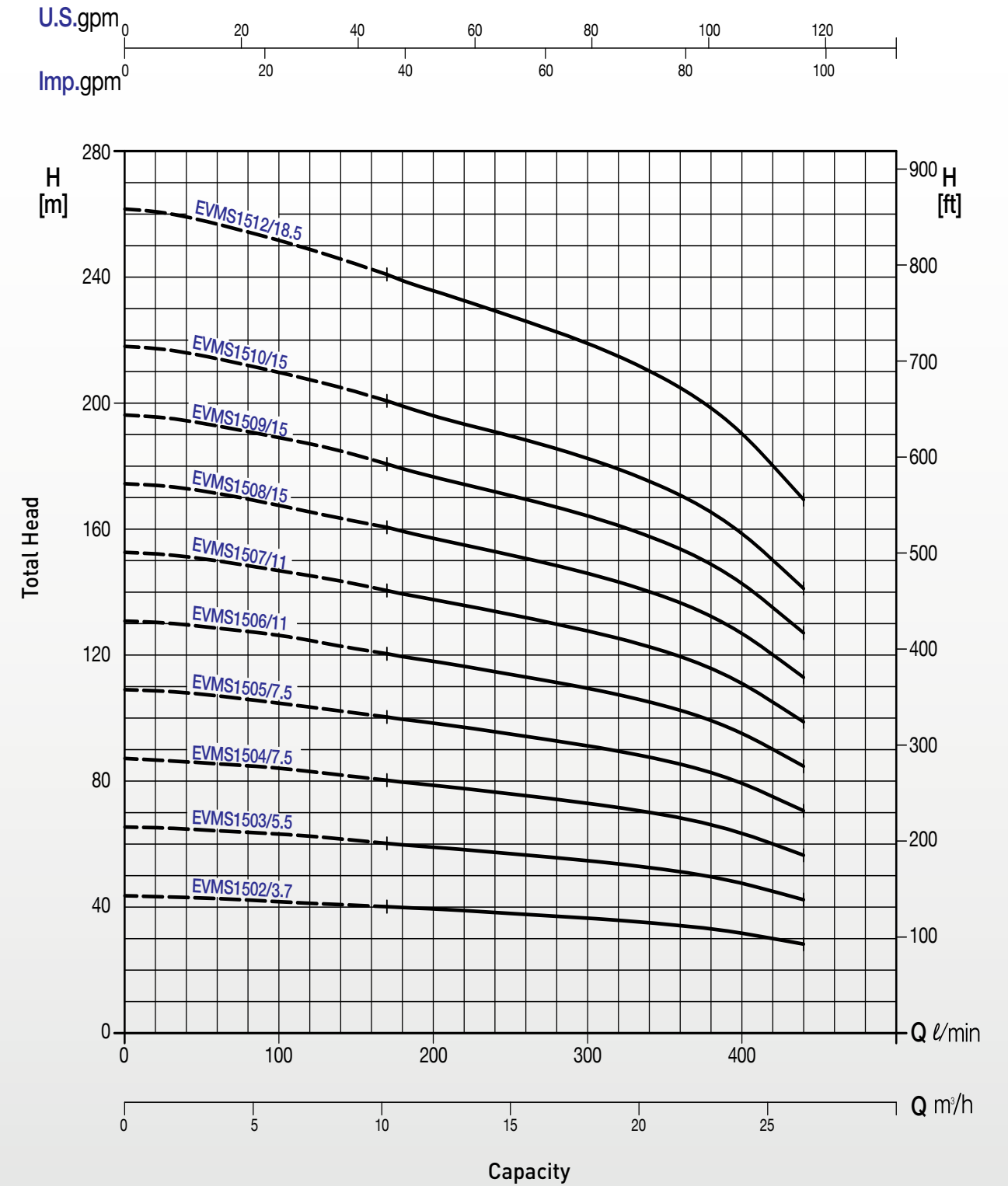
[ EVMS10 ]

60Hz



[ EVMS15 ]

60Hz





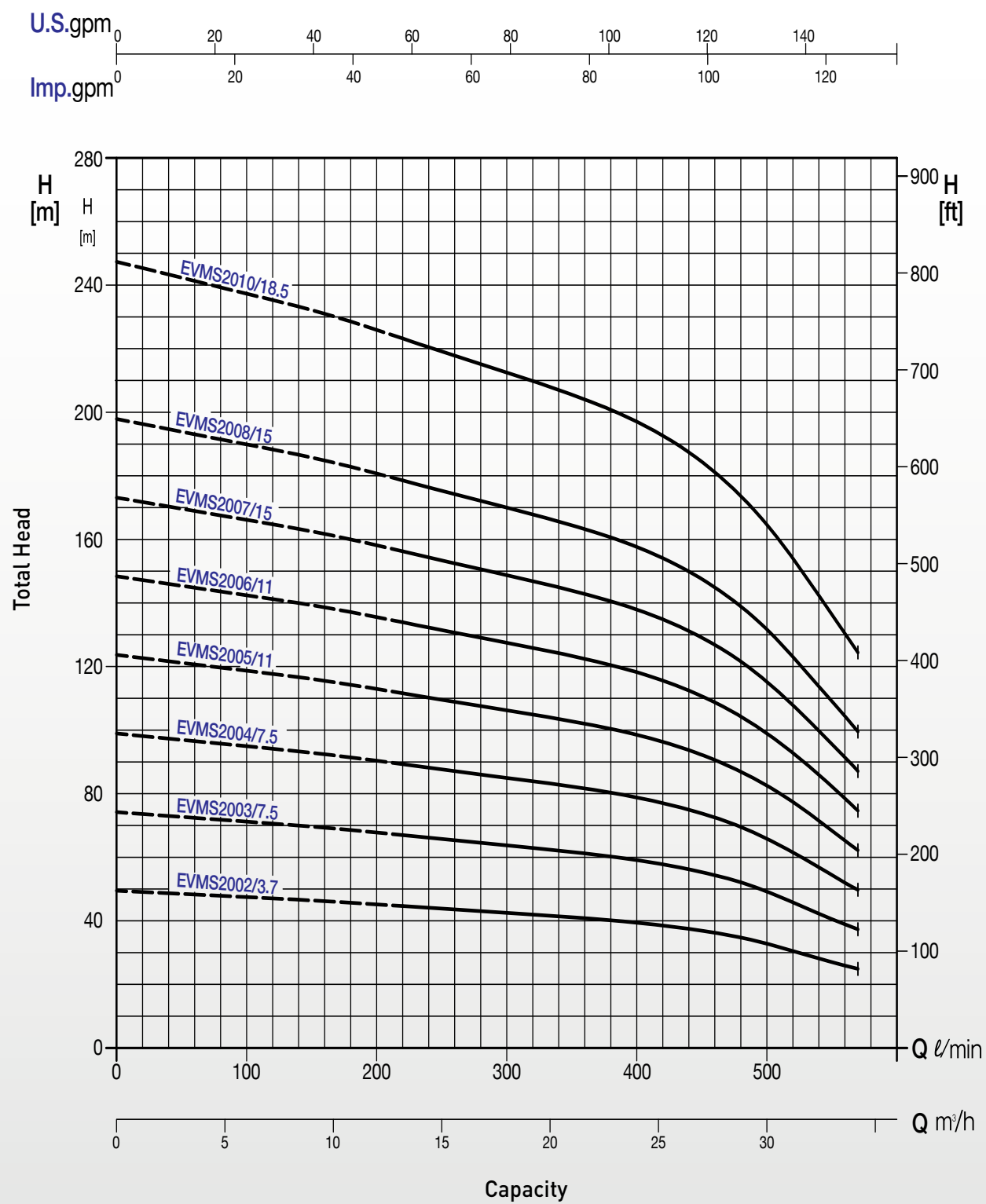
# EVMS / EVMS-V

Stainless Steel Vertical Multi Stage Pump

## 성능 곡선도 Performance Curve

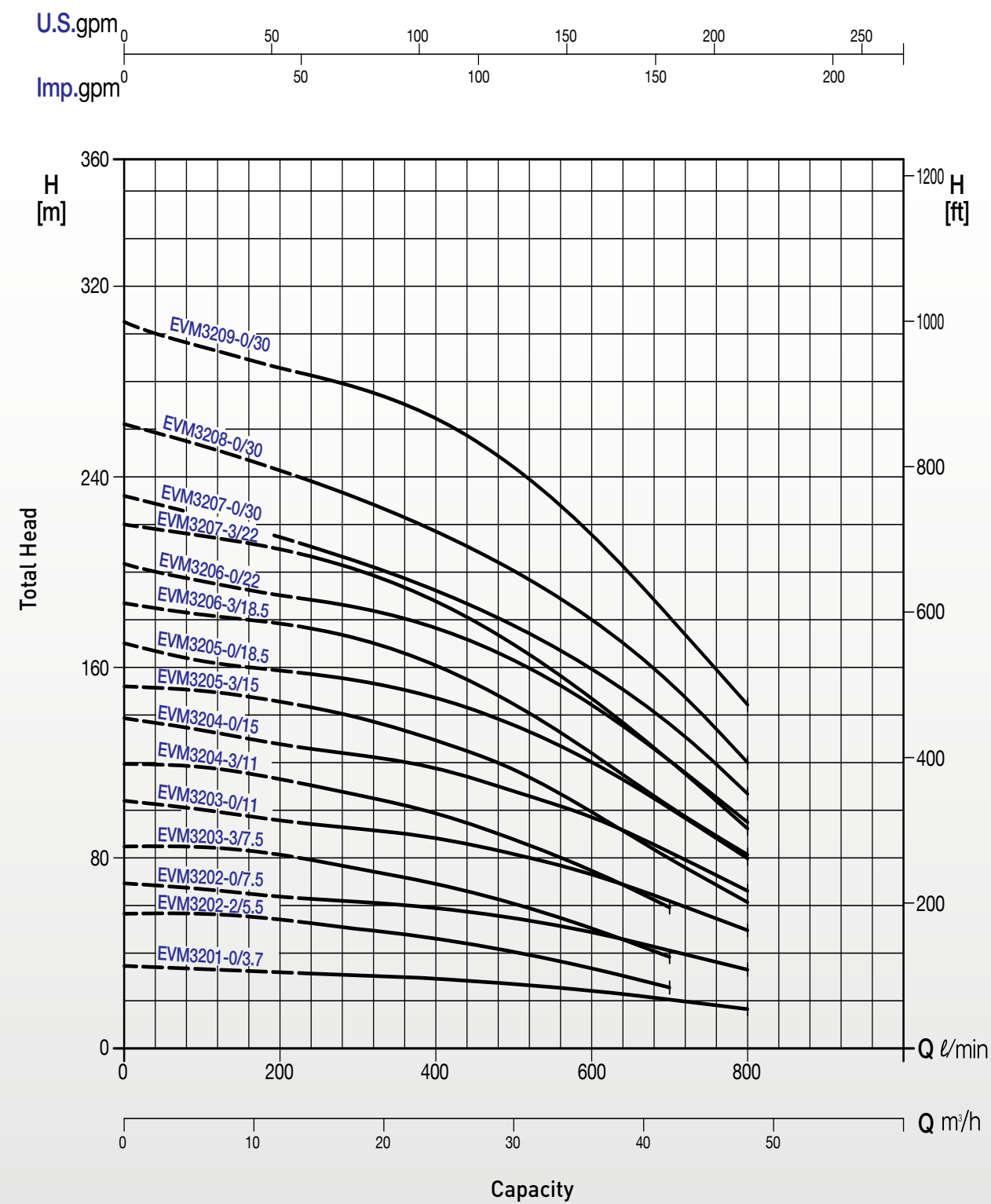
[ EVMS20 ]

60Hz



[ EVM32 ]

60Hz





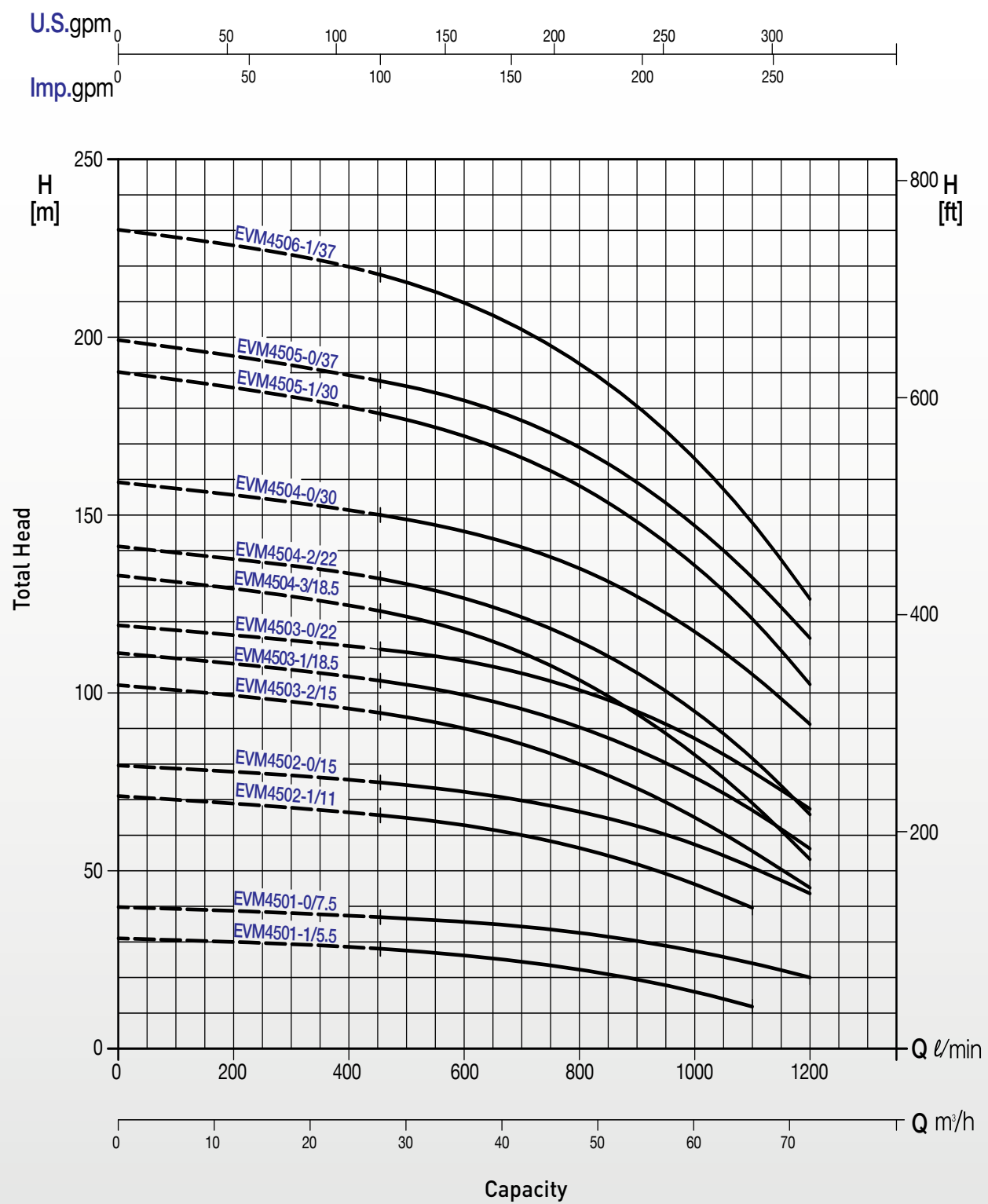
# EVMS / EVMS-V

Stainless Steel Vertical Multi Stage Pump

## 성능 곡선도 Performance Curve

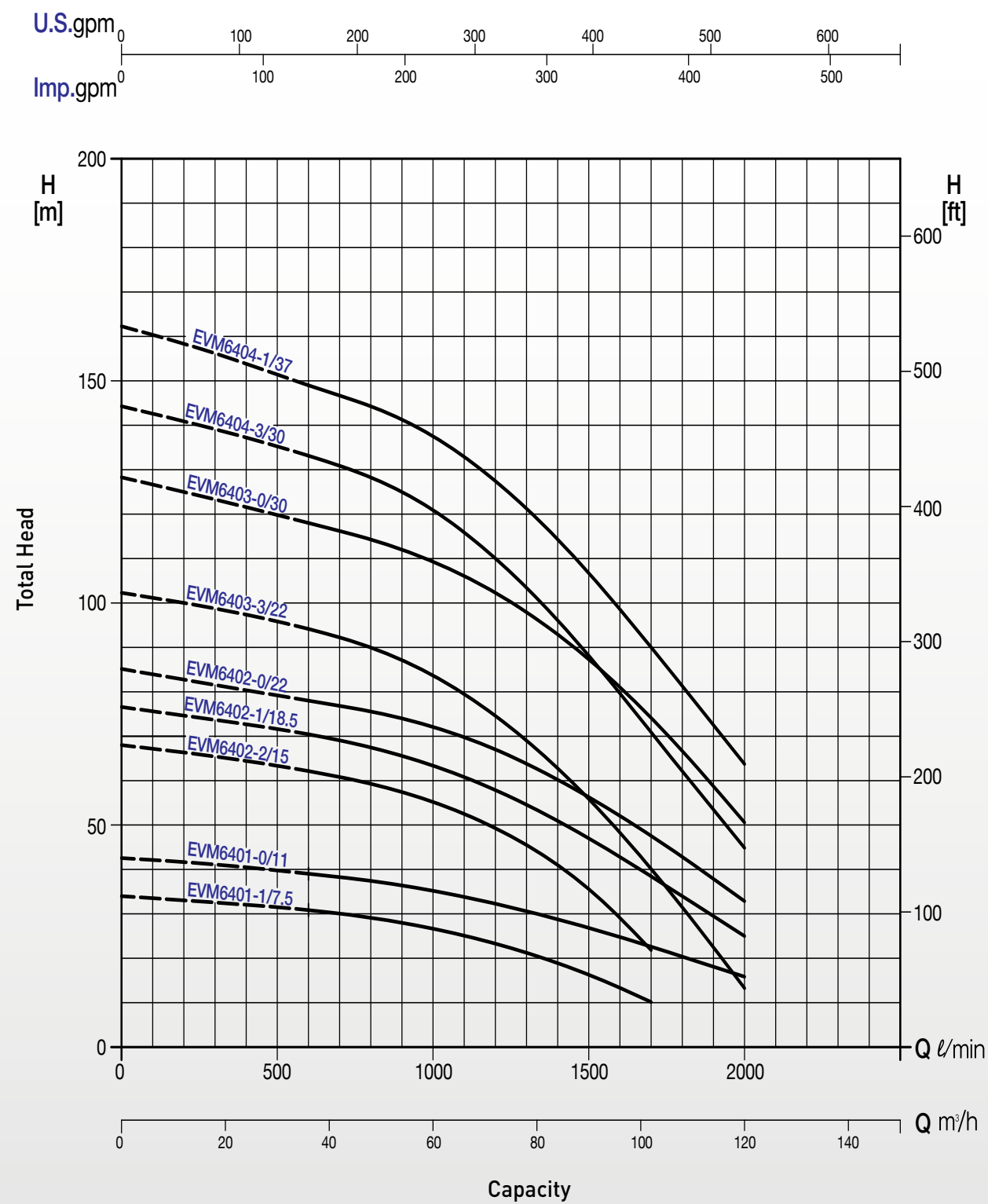
[ EVM45 ]

60Hz



[ EVM64 ]

60Hz



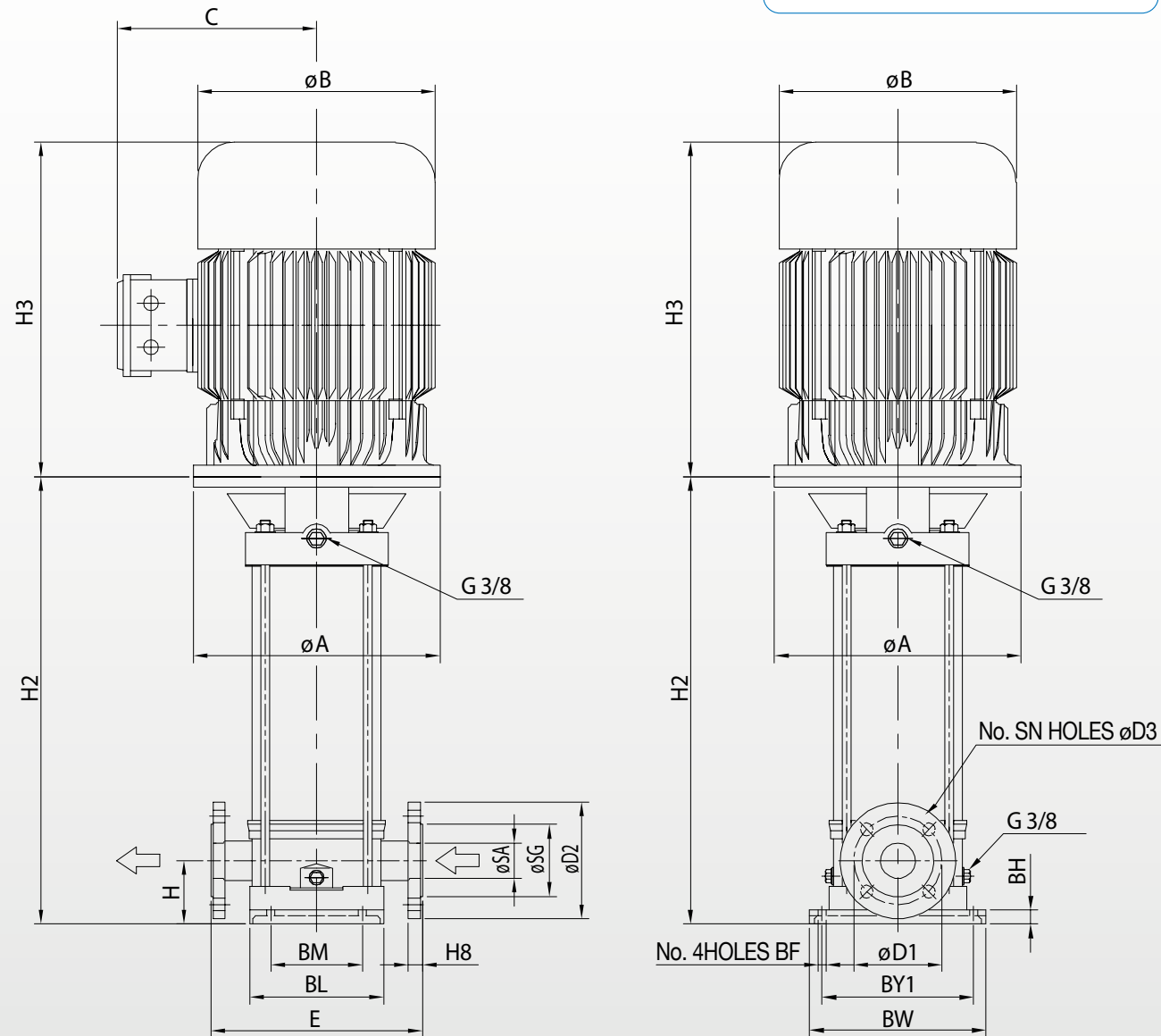
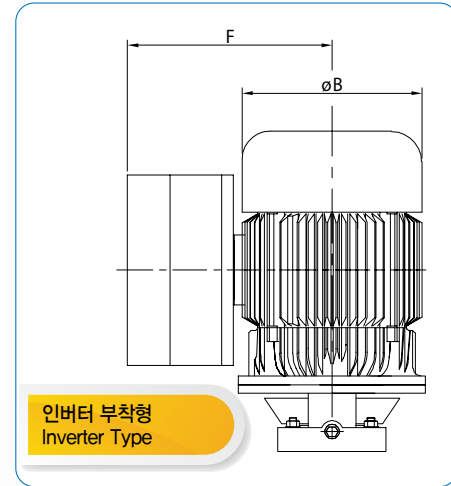
# EVMS / EVMS-V

Stainless Steel Vertical Multi Stage Pump

## 외형도 Outline Drawing

60Hz

[ EVMS03/05/10/15/20 ]



## 외형 치수표 Outline Dimension

60Hz

H3: 모터길이 / B: 모터직경 / C: 모터 단자박스높이 / F: 모터 unit: mm

Pump Type	Pmax [bar]	Dimension																	중량 Weight [kg]*									
		H	H2	H3	E	B	C	F	BM	BL	BY1	BW	SA	SG	D1	D2	H8	SN	D3	BF	BH	A	Pump	Pump + Motor	Inverter			
E V M S O 3	16	EVMS0302/0.55	275																					11	21			
		EVMS0303/0.55	296																					11	21			
		EVMS0304/0.75	327	260		170	170	170																12	22			
		EVMS0305/0.75	348																					13	23			
		EVMS0306/1.1	369																					13	23			
	E V M S O 5	75	EVMS0307/1.1	390																				13	23			
			EVMS0308/1.5	421																				14	24			
			EVMS0309/1.5	442																				14	24			
			EVMS0310/1.5	463	250		187	180	180	100	149	180	210	205	Ø63	Ø85	Ø115	18	4	Ø14	Ø12	20		15	25	10		
			EVMS0311/2.2	484	315																				15	25		
		E V M S O 5	25	EVMS0312/2.2	505																				15	25		
				EVMS0313/2.2	526																				16	26		
				EVMS0314/2.2	547																				17	27		
				EVMS0315/3.7	578																				17	27		
				EVMS0317/3.7	620	330		227	200	200																19	29	
E V M S O 5	16	EVMS0319/3.7	662																				19	29				
		EVMS0320/3.7	683																				20	30				
		EVMS0323/3.7	746																				21	31				
		EVMS0502/0.75	299	260		170	170	170																11	21			
		EVMS0503/1.1	327																					12	22			
	E V M S O 5	75	EVMS0504/1.5	365																				12	22			
			EVMS0505/2.2	393	315		187	180	180																13	23		
			EVMS0506/2.2	421																					13	23		
			EVMS0507/3.7	459																					14	24		
			EVMS0508/3.7	487																					14	24		
		E V M S O 5	25	EVMS0509/3.7	515	250		227	200	200	100	149	180	210	Ø32	Ø71	Ø100	Ø140	20	4	Ø18	Ø12	20		15	25	10	
				EVMS0510/3.7	543	330																				15	25	
				EVMS0511/3.7	571																					16	26	
				EVMS0512/3.7	599																					17	27	
				EVMS0513/5.5	721																					24	39	
E V M S O 5	16	EVMS0514/5.5	749																				25	40				
		EVMS0516/5.5	805	380		260	220	220																26	41	15		
		EVMS0519/7.5	889																					27	42			
		EVMS1002/1.5	353	315		187	180	180																21	31			
		EVMS1003/2.2	383																					22	32			
	E V M S O 5	80	EVMS1004/3.7	423																				23	33	10		
			EVMS1005/3.7	453	330		227	200	200																24	34		
			EVMS1006/3.7	483																					25	35		
			EVMS1007/5.5	611																					33	48		
			EVMS1008/5.5	641	280					130	190	215	250	Ø40	Ø78	Ø110	Ø150	20	4	Ø18	Ø12	20		34	49	15		
		E V M S O 5	25	EVMS1009/5.5	671	380		260	220	220															35	50		
				EVMS1010/7.5	701																					36	51	
				EVMS1012/7.5	761																					38	53	
				EVMS1014/11	851																					48	68	20
				EVMS1016/11	911	480		318	290	290																50	70	
E V M S O 5	16	EVMS1502/3.7	397	330		227	200	200																20	30	10		
		EVMS1503/5.5	534																					28	43			
		EVMS1504/7.5	574	380		260	220	220																29	44	15		
		EVMS1505/7.5	614																					30	45			
		EVMS1506/11	684																					40	60			
	E V M S O 5	90	EVMS1507/11	724	300				130	190	215	250	Ø50	Ø92	Ø125	Ø165	22	4	Ø18	Ø12	20		42	62				
			EVMS1508/15	764	480		318	290	290																43	63	20	
			EVMS1509/15	804																					44	64		
			EVMS1510/15	844																					46	66		
			EVMS1512/18.5	924	525																				48	73	25	
		E V M S O 5	25	EVMS2002/3.7	397	330		227	200	200																20	30	10
				EVMS2003/7.5	534																					28	43	
				EVMS2004/7.5	574	380		260	220	220																29	44	15
				EVMS2005/11	644																					38	58	
				EVMS2006/11	684	480		318	290	290																39	59	20
E V M S O 5	25	EVMS2007/15	724																					42	62			
		EVMS2008/15	764																					43	63			
		EVMS2010/18.5	844	525																				46	71	25		

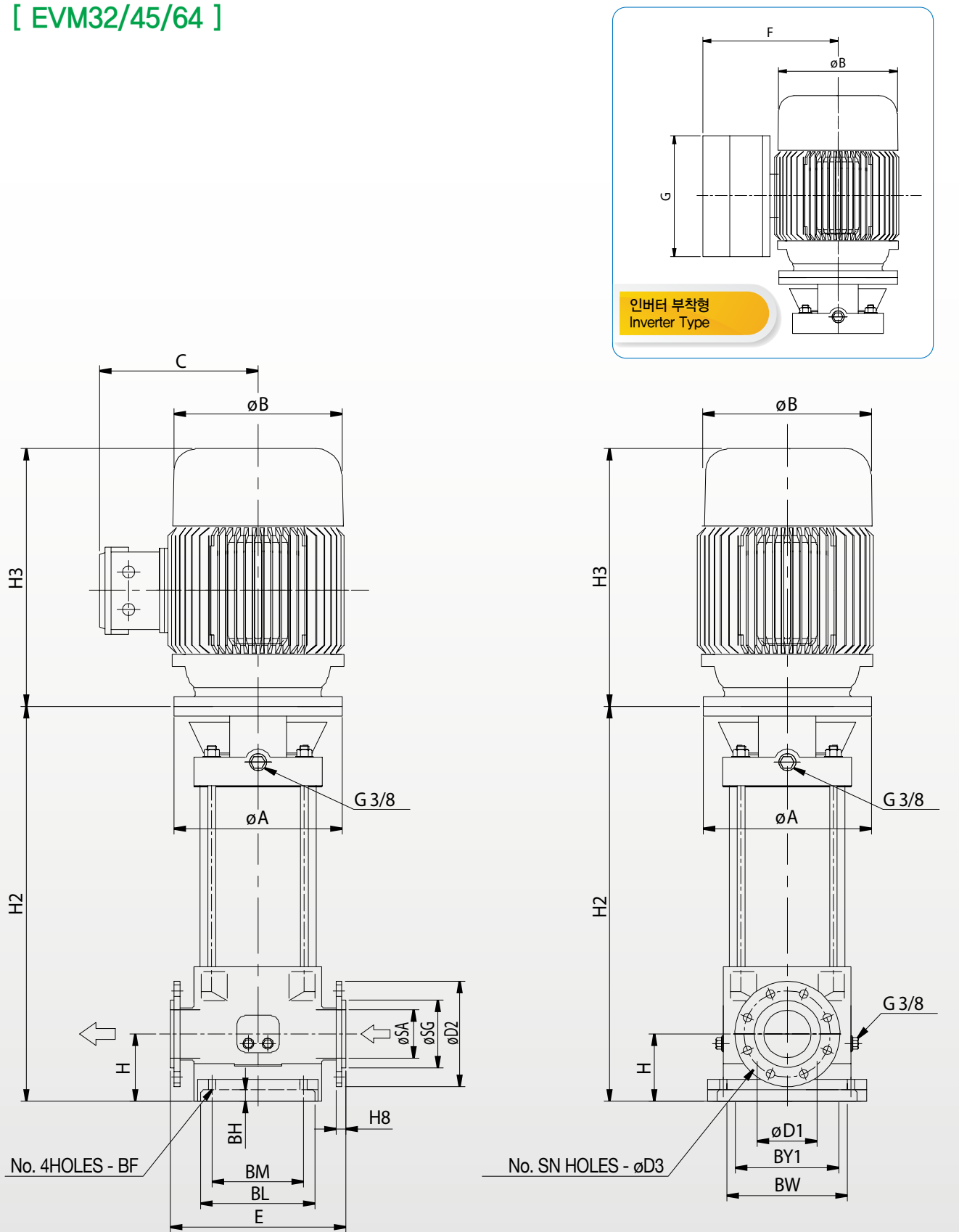
# EVMS / EVMS-V

Stainless Steel Vertical Multi Stage Pump

## 외형도 Outline Drawing

60Hz

[ EVM32/45/64 ]



## 외형 치수표 Outline Dimension

60Hz

H3 : 모터길이 / B : 모터직경 / C : 모터 단자박스높이 / F : 모터 unit : mm

Pump Type	Pmax [bar]	Dimension																	중량 Weight [kg]*								
		H	H2	H3	E	B	C	F	BM	BL	BY1	BW	SA	SG	D1	D2	H8	SN	D3	BF	BH	A	Pump	Pump + Motor	Inverter		
EVM3201-0/3.7 EVM3202-2/5.5 EVM3202-0/7.5 EVM3203-3/7.5 EVM3203-0/11 EVM3204-3/11 EVM3204-0/15 EVM3205-3/15 EVM3205-0/18.5 EVM3206-3/18.5 EVM3206-0/22 EVM3207-3/22	16	503	330		227	200	200																Ø165	56	122	10	
		524																							58	155	
		524	380		260	220	220																	Ø300	58	155	15
		572																							74	171	
		703																	4						74	239	
		751		480																					77	242	20
		751																							77	242	
		799	105	320	318	290	290		170	210	240	280	Ø65	Ø110	Ø145	Ø185	23			Ø18	Ø14	35		Ø350	96	261	
		799		525																					96	267	
		847																							99	270	
		847	25	570	360	315	315																		99	322	
		895																							102	325	25
910																	8						105	343			
958	30	610	354	320	320																		105	343			
1006																							108	346			
EVM4501-1/5.5 EVM4501-0/7.5 EVM4502-1/11 EVM4502-0/15 EVM4503-2/15 EVM4503-1/18.5 EVM4503-0/22 EVM4504-3/18.5 EVM4504-2/22 EVM4504-0/30 EVM4505-1/30 EVM4505-0/37 EVM4506-1/37	16	546	380		260	220	220																Ø300	56	153	15	
		546																							56	153	
		749																							58	223	
		749	480		318	290	290																		58	223	20
		822																							74	239	
		822	525																						74	245	
		822	140	365	360	315	315		190	251	266	331	Ø80	Ø120	Ø160	Ø200	20	8	Ø18	Ø14	45		Ø350	74	297		
		894		525	318	290	290																		77	248	25
		894		570	360	315	315																		77	300	
		909		610	354	320	320																		77	315	
		981	25																						96	334	
		981		670	404	370	370																		96	421	35
1053																							99	424			
EVM6401-1/7.5 EVM6401-0/11 EVM6402-2/15 EVM6402-1/18.5 EVM6402-0/22 EVM6403-3/22 EVM6403-0/30 EVM6404-3/30 EVM6404-1/37	16	546	380		260	220	220																Ø300	70	167	15	
		677		480																					77	242	20
		749			318	290	290																		81	246	
		749	525																						94	265	
		749	140	365	360	315	315		190	251	266	331	Ø100	Ø140	Ø180	Ø220	20	8	Ø18	Ø14	45		Ø350	94	317		
		821		570	360	315	315																		99	322	25
		837																							99	337	
		837		610	354	320	320																		99	337	
		909																							108	346	
		909		670	404	370	370																		108	433	35